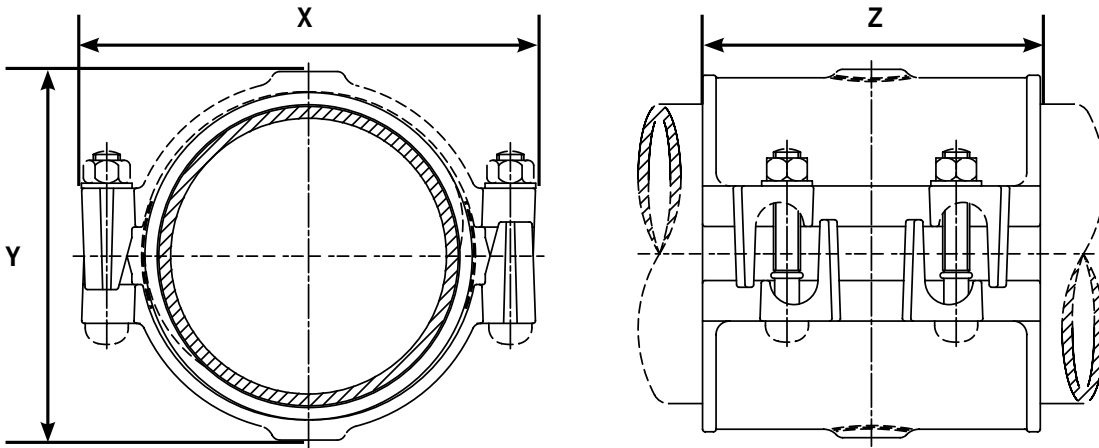


EasiClamp & EasiTap - 4 Bolt (D&T / D&T Boss)

Datasheet 1/2

EasiClamp - 4 Bolt



EasiClamp & EasiTap - 4 Bolt D&T Boss

Nominal Diameter		OD Range		Dimensions			Bolt Size No.-Dia x Length	Weight (kg)	Outlet BSP Threaded Size
		Min (mm)	Max (mm)	X (mm)	Y (Max) (mm)	Z (mm)			
2"	DN50	66.0	75.0	150	110	200	4-M12 x 65mm	4.1	3/4"
2 1/2"	DN65	75.0	84.0	159	119	200	4-M12 x 65mm	4.4	3/4"
3"	DN80	92.3	103.0	184	145	200	4-M16 x 95mm	4.9	3/4"
4"	DN100	115.0	125.6	211	167	200	4-M16 x 95mm	6.0	1/2", 3/4" or 1"
5"	DN125	141.0	153.9	239	182	200	4-M16 x 95mm	7.5	3/4" or 1"
6"	DN150	166.0	181.2	267	217	200	4-M16 x 95mm	8.3	3/4" or 1"
7"	DN175	200.0	210.0	296	238	200	4-M16 x 95mm	9.0	3/4" or 1"
8"	DN200	216.5	226.0	313	269	200	4-M16 x 95mm	9.5	1"
8"	DN200	230.2	243.5	328	281	200	4-M16 x 95mm	10.8	3/4" or 1"
9"	DN225	243.0	267.0	362	307	212	4-M16 x 120mm	13.6	3/4" or 1"
10"	DN250	269.0	294.0	395	322	250	6-M16 x 120mm	18.5	1/2", 3/4" or 1"
12"	DN300	323.0	349.0	450	387	300	8-M16 x 120mm	25.2	1/2", 3/4" or 1"

Every effort has been made to ensure that the information contained in this publication is accurate at the time of publishing. Crane Ltd assumes no responsibility or liability for typographical errors or omissions or for any misinterpretation of the information within the publication and reserves the right to change without notice.

DR8550_03_2020_ISSUE 6

EasiClamp & EasiTap - 4 Bolt (D&T / D&T Boss)

Datasheet

2/2

Technical Information

Working Pressure Rating

Water 16 bar

Gas not approved

Vacuum Pressure

Capable of accommodating a vacuum pressure of -0.7 bar

Site Test Pressure

1.5 times working pressure for short duration (2 hours)

Angularity

Four Bolt EasiClamp fittings are not able to accommodate any angularity.

Bolt Torque/Spanner

M12; Torque 55-65Nm on every bolt

Spanner size A/F 19mm

M16; Torque 95-110Nm on every bolt

Spanner size A/F 24mm

Temperature Rating of Product

EPDM -20°C to +40°C

Four bolt EasiClamp is are not suitable for use on heating systems with fluctuating temperatures.

End Load Due to Internal Pressure

Four bolt EasiClamp and EasiTap DO NOT resist end load due to the internal pressure - adequate external restraint must be provided to prevent pipe pull out from the clamp.

Approvals

The following water contact materials used in four bolt EasiClamp and EasiTap are approved for use with potable water:-

Rilsan Nylon 11:

➤ WRAS, AS/NZS 4020, DVGW, W270, ACS & KIWA

EPDM Gaskets:

➤ WRAS, AS/NZS 4020

In addition to the above, four bolt EasiClamp and EasiTap as a finished product has KIWA certification verifying that the above products comply with the requirements of the Water Supply (Water Fittings) Regulations for England and Wales 1999, the Water Byelaws 2000, Scotland and the Water Regulations Northern Ireland.

Materials & Relevant Standards

Housing

Plain Housing:

➤ Ductile Iron to BS EN 1563 SYMBOL EN-GJS-450-10

Tapped Housing (Boss):

➤ Ductile Iron to BS EN 1563 SYMBOL EN-GJS-450-10

Tapped Housing (Outlet) Options:

➤ Ductile Iron to BS EN 1563 SYMBOL EN-GJS-450-10

➤ Malleable Cast Iron to BS EN 1562 SYMBOL EN-GJMB-350-10

Bridging Plate

Stainless Steel to BS1449: Part 2 Grade 304S15 2B Finish

Gasket

BS EN681-1 60 IRHD

Coatings

Plain Housing:

➤ Rilsan Nylon 11 to WIS 4-52-01 (Part1)

Tapped Housing:

➤ Rilsan Nylon 11 to WIS 4-52-01 (Part1)

Bolts & Nuts:

➤ Sheraplex to WIS 4-52-03

Bolts

Standard - Steel to BS EN ISO 898-1 Property Class 4.8

Option - Stainless Steel to BS EN ISO3506-1 Grade A2 Property Class 70

Nuts

Standard - Steel to BS 4190 Grade 4

Option - Stainless Steel to BS EN ISO3506-2 Grade A4 Property Class 80

Washers

Standard - Stainless Steel to BS 1449:Part 2 Grade 304 S15

Option - Stainless Steel to BS EN ISO3506-1 Grade A2 Property Class 50