

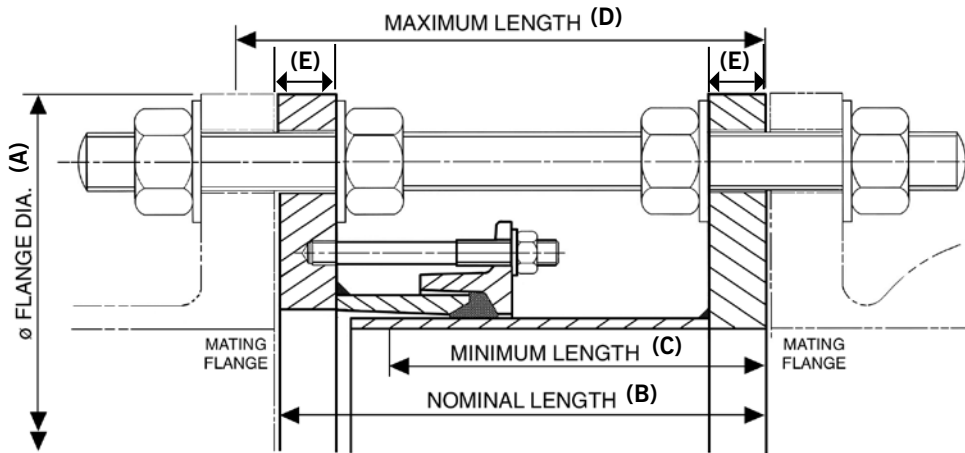
Dismantling Joints DN350 to DN2400 (PN16)

Datasheet

1/2

Dismantling Joint

(For diameters over DN2400 contact Viking Johnson)



Note: Maximum Longitudinal Adjustment = Maximum Length – Minimum Length

Dismantling Joints (Standard Product)

Table provides details of standard product – for products offering longer flange dimensions and / or increased longitudinal adjustment contact Viking Johnson.

Flange Details		Flange To Flange Details					Tie Rod Details					
Nom	Drilling	Flange Thickness	Flange OD	Nominal Length	Minimum Length	Maximum Length	Steel Tie Rod			Stainless Steel Tie Rod		
		E (mm)	A (mm)	B (mm)	C (mm)	D (mm)	Dia x Length (mm)	No.	Total Weight of DJ (kg)	Dia x Length (mm)	No.	Total Weight of DJ (kg)
350	PN16	18	520	295	270	320	M24 x 450	4	63.4	M24 x 450	4	63.4
400	PN16	18	580	295	270	320	M27 x 460	4	75.2	M27 x 460	4	75.2
450	PN16	23	640	300	275	325	M27 x 470	5	99.0	M27 x 470	5	99.0
500	PN16	23	715	300	275	325	M30 x 480	5	121.0	M30 x 480	5	121.0
550	PN16	23	775	300	275	325	M30 x 490	5	134.0	M30 x 490	5	134.0
600	PN16	23	840	300	275	325	M33 x 500	5	154.0	M33 x 500	5	154.0
650	PN16	23	860	300	275	325	M33 x 510	6	153.0	M33 x 510	6	153.0
700	PN16	23	910	300	275	325	M33 x 520	6	162.0	M33 x 520	6	162.0
750	PN16	23	970	300	275	325	M33 x 530	6	177.0	M33 x 530	8	182.0
800	PN16	23	1025	300	275	325	M36 x 540	6	184.0	M36 x 540	8	190.5
900	PN16	25	1125	307	277	337	M36 x 570	7	232.0	M36 x 570	10	251.5
1000	PN16	25	1255	307	277	337	M39 x 590	7	282.0	M39 x 590	10	306.5
1100	PN16	38	1355	320	290	350	M39 x 610	8	406.0	M39 x 610	12	438.0
1200	PN16	38	1485	320	290	350	M45 x 640	8	505.0	M45 x 640	10	529.0
1300	PN16	38	1585	320	290	350	M45 x 650	8	533.0	M45 x 650	12	582.0
1400	PN16	38	1685	320	290	350	M45 x 660	9	583.0	M45 x 660	14	644.0
1500	PN16	38	1820	320	290	350	M52 x 690	9	760.0	M52 x 770	12	829.0
1600	PN16	38	1930	320	290	350	M52 x 710	10	850.0	M52 x 800	12	903.0
1800	PN16	38	2130	320	290	350	M52 x 730	11	962.0	M52 x 810	16	1,075.0
2000	PN16	60	2345	462	412	512	M56 x 930	12	1,662.0	M56 x 1020	18	1,899.0
2200	PN16	60	2555	462	412	512	M56 x 950	13	1,871.0	M56 x 1040	20	2,145.0
2400	PN16	60	2765	462	412	512	M56 x 980	16	2,144.0	M56 x 1070	24	2,468.0

Every effort has been made to ensure that the information contained in this publication is accurate at the time of publishing. Crane Ltd assumes no responsibility or liability for typographical errors or omissions or for any misinterpretation of the information within the publication and reserves the right to change without notice.

DR8550_03_2020_ISSUE 6

Dismantling Joints DN350 to DN2400 (PN16)

Datasheet

2/2

Technical Information

Working Pressure Rating

Water - In accordance with the flange rating
Gas 6 bar

Vacuum Pressure

Capable of accommodating a vacuum pressure of -0.7 bar

Site Test Pressure

1.5 times working pressure for short duration (2 hours)

Angularity

Dismantling joints are in essence double flanged pipe where the flange to flange dimension can be adjusted, and therefore are not able to accommodate any angularity.

Bolt Torque/Spanner

M12; Torque 55-65Nm on every bolt
M16; Torque 95-110Nm on every bolt

Tie rods

Torque is a function of the flange connecting gasket, not supplied by Viking Johnson; consult flange gasket supplier.

Temperature Rating of Product

EPDM -20°C to +90°C
Nitrile -20°C to +90°C

For use on applications with fluctuating and / or elevated temperatures (> 60°C) may require regular maintenance to re-tighten the bolts and must be included in any maintenance schedule.

Approvals

The following water contact materials used in Dismantling Joints are approved for use with potable water:-

Rilsan Nylon 11:

- WRAS, AS/NZS 4020, DVGW, W270, ACS & KIWA

EPDM Gaskets:

- WRAS, AS/NZS 4020

In addition to the above, the flange adaptor component in the Dismantling Joint has as a finished product KIWA certification verifying that it complies with the requirements of the Water Supply (Water Fittings) Regulations for England and Wales 1999, the Water Byelaws 2000, Scotland and the Water Regulations Northern Ireland.

Materials & Relevant Standards

Flange Drilling

BS EN1092-1
(formerly BS4504), ISO7005

Fabricated Flange Adaptor Body

Rolled Steel to BS EN 10025-2:
Grade S275

End Rings & Sleeve Options

- Rolled Steel to BS EN 10025-2:
Grade S275
- Rolled Steel to BS EN 10025-2:
Grade S355
(depending on section)

Flange

Rolled Steel to BS EN 10025-2:
Grade S275

Spigot Options:

- Steel Tube to BS10216-1:
Grade P265TR1
- Rolled steel to BS EN10025-2:
Grade S275

Gaskets

Standard:

- EPDM to BS EN681-1: Type WA
- Other gasket grades are available contact Viking Johnson.

Coatings

Flange Adaptor, Spigot & End Ring:

- Rilsan Nylon 11 to
WIS 4-52-01 Part 1

Option 1 Flange Adaptor bolts & Nuts:

- Sheraplex to WIS 4-52-03

Steel Tie Rods/Nuts:

- Zn³ Zinc coated

Tie Rods, Studs, Nuts and Washers

The following two options are as standard variants:-

Option 1: Zinc Plated Steel

Tie Rods

ASTM A193 (Grade B7/MB7) equivalent to BS EN10269:+A1: Name 42CrMo4 (Yield 725N/mm²)

Tie Rod Nuts

ASTM A194 Grade 2H/M2H equivalent to BS EN20898-2: Property Class 8.00

Flange Adaptor Studs

Steel to BS EN ISO898-1: Property Class 4.8

Flange Adaptor Nuts

Steel to BS4190: Grade 4

Flange Adaptor Washers

Stainless Steel to BS1449:Part 2: Grade 304S15

Option 2: Stainless Steel

Tie Rods

Stainless Steel to BS EN3506-1: Grade A4 Property Class 70 (Yield 450N/mm²)

Tie Rod Nuts

Stainless Steel to BS EN3506-2: Grade A4 Property Class 80

Flange Adaptor Studs

Stainless Steel to BS EN ISO 3506-1: grade A4 property class 50

Flange Adaptor Nuts

Stainless Steel to BS EN ISO 3506-2: grade A4 property class 80

Flange Adaptor Washers

Stainless Steel to BS1449: Part 2: Grade 304S15